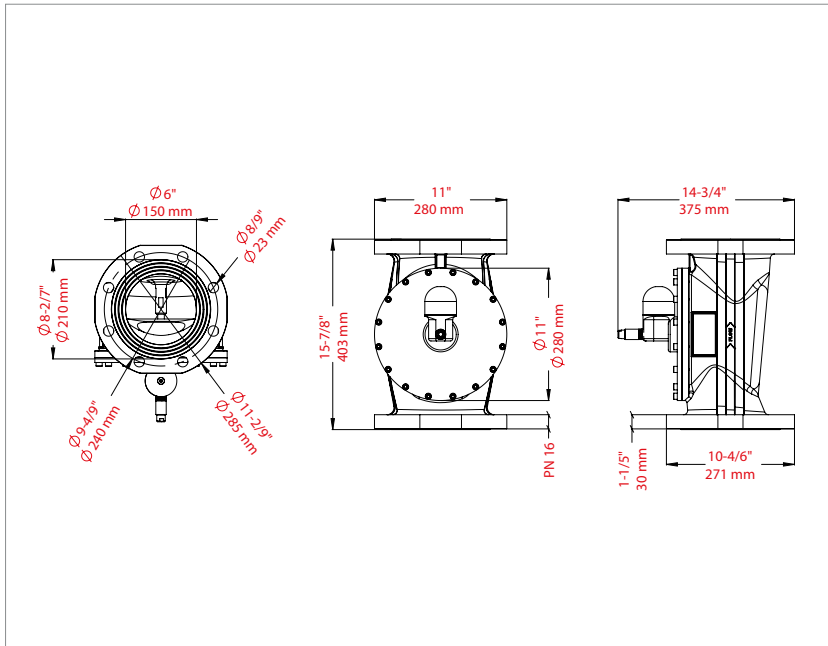


FDV 1502 MECHANICAL EARTQUAKE VALVE 6" Flanged Vertical



MODEL	PIPE SIZE	DN	PN	NORM	POSITION	TEMP. RANCE	Max. PRESSURE	WEIGHT
FDV 1502	6"	150	16	DIN	Vertical	-23°C(-10°F) to +66°C (+150°F)	4 bar / 60 PSI	53,37 lb / 24,21 kg

Material	Min. Turning Effort	Min. Bending Moment	CV	Eqv Lenght of pipe (ft)
Aluminium Alloy / Brass / Stainless Steel	1500 Inc lbf / 169,5 Nm	200,0 Lb / 90,7 kg	436	9,3

FLOW CAPACITY TABLE IWC/PSIG - Capacity S.C.F.H

Pressure Drop		Inlet Pressure (iwc)		Inlet Pressure (psi)					
psi	iwc	8" iwc	14" iwc	3	5	7	10	20	60
0.0036	0.1	7559	7614	8215	8666	9096	9704	11502	16877
0.0072	0.2	10689	10766	11616	12255	12862	13723	16266	23867
0.0108	0.3	13090	13184	14225	15008	15752	16806	19920	29230
0.0144	0.4	15113	15222	16424	17328	18187	19404	23001	33751
0.018	0.5	16895	17017	18361	19371	20332	21693	25715	37734
0.0216	0.6	18505	18639	20111	21218	22271	23762	28167	41335
0.0252	0.7	19985	20130	21720	22916	24053	25664	30423	44646
0.0288	0.8	21363	21517	23218	24496	25712	27434	32522	47727
0.0324	0.9	22656	22819	24624	25980	27269	29096	34493	50621
0.036	1.0	23878	24051	25953	27383	28742	30667	36356	53358
0.072	2.0	33729	33973	36666	38690	40613	43338	51389	75441
0.108	3.0	41259	41558	44860	47341	49699	53040	62906	92374
0.144	4.0	47584	47930	51747	54615	57340	61200	72599	106638
0.18	5.0	53136	53524	57795	61005	64054	68373	81126	119196

FLOW CAPACITY TABLE IWC/PSIG - Capacity m³/h

Pressure Drop		Inlet Pressure (iwc)		Inlet Pressure (psi)					
psi	iwc	8" iwc	14" iwc	3	5	7	10	20	60
0.0036	0.1	211,65	213,19	230,02	242,65	254,69	271,71	322,06	472,56
0.0072	0.2	299,29	301,45	325,25	343,14	360,14	384,24	455,45	668,28
0.0108	0.3	366,52	369,15	398,30	420,22	441,06	470,57	557,76	818,44
0.0144	0.4	423,16	426,22	459,87	485,18	509,24	543,31	644,03	945,03
0.018	0.5	473,06	476,48	514,11	542,39	569,30	607,40	720,02	1056,55
0.0216	0.6	518,14	521,89	563,11	594,10	623,59	665,34	788,68	1157,38
0.0252	0.7	559,58	563,64	608,16	641,65	673,48	718,59	851,84	1250,09
0.0288	0.8	598,16	602,48	650,10	685,89	719,94	768,15	910,62	1336,36
0.0324	0.9	634,37	638,93	689,47	727,44	763,53	814,69	965,80	1417,39
0.036	1.0	668,58	673,43	726,68	766,72	804,78	858,68	1017,97	1494,02
0.072	2.0	944,41	951,24	1026,65	1083,32	1137,16	1213,46	1438,89	2112,35
0.108	3.0	1155,25	1163,62	1256,08	1325,55	1391,57	1485,12	1761,37	2586,47
0.144	4.0	1332,35	1342,04	1448,92	1529,22	1605,52	1713,60	2032,77	2985,86
0.18	5.0	1487,81	1498,67	1618,26	1708,14	1793,51	1914,44	2271,53	3337,49

FLOW CAPACITY TABLE IWC/PSIG - Capacity kW

Pressure Drop		Inlet Pressure (iwc)		Inlet Pressure (psi)					
psi	iwc	8" iwc	14" iwc	3	5	7	10	20	60
0.0036	0.1	2232,93	2249,18	2426,71	2559,94	2686,96	2866,56	3397,69	4985,47
0.0072	0.2	3157,53	3180,28	3431,37	3620,13	3799,43	4053,77	4804,98	7050,31
0.0108	0.3	3866,79	3894,55	4202,07	4433,36	4653,14	4964,49	5884,37	8634,54
0.0144	0.4	4464,38	4496,58	4851,65	5118,69	5372,44	5731,94	6794,50	9970,05
0.018	0.5	4990,78	5026,82	5423,84	5722,19	6006,07	6408,11	7596,21	11146,62
0.0216	0.6	5466,38	5505,96	5940,79	6267,80	6578,85	7019,29	8320,53	12210,36
0.0252	0.7	5903,57	5946,40	6416,09	6769,39	7105,26	7581,15	8986,95	13188,43
0.0288	0.8	6310,63	6356,12	6858,60	7236,12	7595,32	8104,00	9607,00	14098,56
0.0324	0.9	6692,58	6740,73	7273,93	7674,49	8055,26	8594,96	10189,23	14953,44
0.036	1.0	7053,56	7104,67	7666,52	8088,94	8490,39	9059,03	10739,56	15761,95
0.072	2.0	9963,55	10035,62	10831,14	11429,03	11997,08	12802,05	15180,31	22285,27
0.108	3.0	12187,91	12276,23	13251,64	13984,53	14681,08	15668,02	18582,43	27287,28
0.144	4.0	14056,31	14158,52	15286,06	16133,27	16938,24	18078,48	21445,74	31500,87
0.18	5.0	15696,37	15810,99	17072,64	18020,88	18921,55	20197,38	23964,62	35210,50

CERTIFICATES	TUV Austria CE 0408 (Products Approval Standard ASCE 25-16 and TS 12884)
APPLICATION	Gasses : Natural Gas, LPG, methane, propane, air, etc... non corrosive gaseous fluids.
INFORMATION	Experiments were carried out with air. Calculations based on gas with a density of 0.64 and a calorific value of 37 MJ/m ³ . The measured flow value is arranged according to 15 °C and 101.3 kPa pressure.

