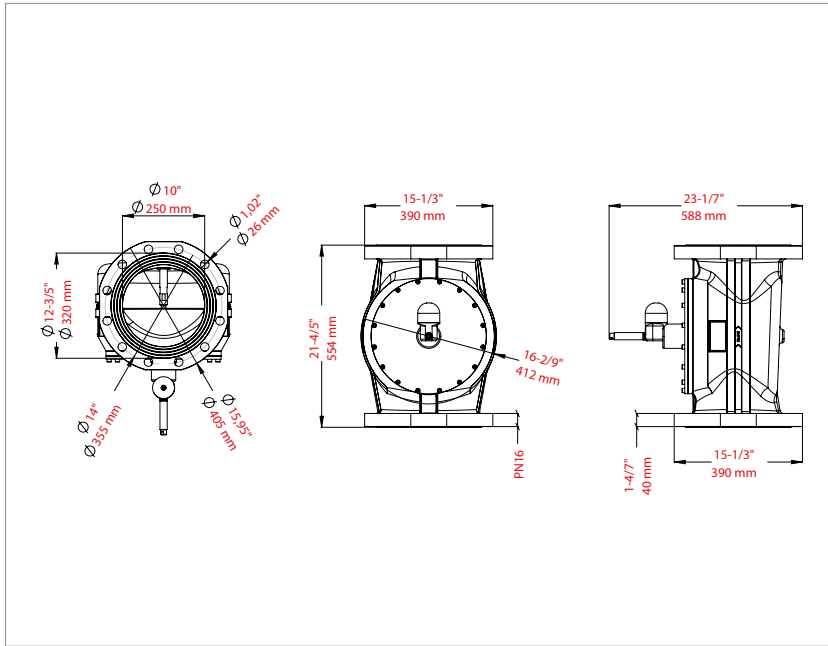


FDV 2502 MECHANICAL EARTQUAKE VALVE 10" Flanged Vertical



MODEL	PIPE SIZE	DN	PN	NORM	POSITION	TEMP. RANGE	Max. PRESSURE	WEIGHT
FDV 2502	10"	250	16	DIN	Vertical	-23°C(-10°F) to +66°C (+150°F)	4 bar / 60 PSI	116,80 lb / 53 kg

Material	Min. Turning Effort	Min. Bending Moment	CV	Eqv Length of pipe (ft)
Aluminium Alloy / Brass / Stainless Steel	1500 lnc lbf / 169,5 Nm	200,0 Lb / 90,7 kg	1164	18

FLOW CAPACITY TABLE IWC/PSIG - Capacity S.C.F.H

Pressure Drop		Inlet Pressure (iwc)		Inlet Pressure (psi)					
psi	iwc	8" iwc	14" iwc	3	5	7	10	20	60
0.0036	0.1	20178	20323	21927	23133	24279	25903	30703	45049
0.0072	0.2	28532	28738	31006	32712	34333	36630	43418	63708
0.0108	0.3	34940	35192	37971	40060	42046	44859	53173	78024
0.0144	0.4	40341	40632	43841	46253	48546	51795	61396	90092
0.018	0.5	45097	45422	49010	51708	54272	57905	68640	100723
0.0216	0.6	49395	49752	53683	56638	59447	63427	75187	110334
0.0252	0.7	53347	53732	57978	61170	64204	68504	81207	119172
0.0288	0.8	57023	57435	61975	65388	68632	73228	86809	127397
0.0324	0.9	60475	60912	65728	69348	72789	77664	92070	135122
0.036	1.0	63738	64199	69276	73093	76720	81859	97046	142427
0.072	2.0	90031	90683	97871	103274	108408	115682	137172	201374
0.108	3.0	110132	110931	119744	126368	132661	141578	167914	246572
0.144	4.0	127016	127940	138127	145783	153056	163360	193789	284648
0.18	5.0	141836	142870	154273	162840	170979	182508	216550	318170

FLOW CAPACITY TABLE IWC/PSIG - Capacity m³/h

Pressure Drop		Inlet Pressure (iwc)		Inlet Pressure (psi)					
psi	iwc	8" iwc	14" iwc	3	5	7	10	20	60
0.0036	0.1	564,98	569,04	613,96	647,72	679,81	725,28	859,68	1261,37
0.0072	0.2	798,90	804,66	868,17	915,94	961,32	1025,64	1215,70	1783,82
0.0108	0.3	978,32	985,38	1063,19	1121,68	1177,29	1256,05	1488,84	2184,67
0.0144	0.4	1129,55	1137,70	1227,55	1295,08	1359,29	1450,26	1719,09	2522,58
0.018	0.5	1262,72	1271,82	1372,28	1447,82	1519,62	1621,34	1921,92	2820,24
0.0216	0.6	1383,06	1393,06	1503,12	1585,86	1664,52	1775,96	2105,24	3089,35
0.0252	0.7	1493,72	1504,50	1623,38	1712,76	1797,71	1918,11	2273,80	3336,82
0.0288	0.8	1596,64	1608,18	1735,30	1830,86	1921,70	2050,38	2430,65	3567,12
0.0324	0.9	1693,30	1705,54	1840,38	1941,74	2038,09	2174,59	2577,96	3783,42
0.036	1.0	1784,66	1797,57	1939,73	2046,60	2148,16	2292,05	2717,29	3987,96
0.072	2.0	2520,87	2539,12	2740,39	2891,67	3035,42	3239,10	3840,82	5638,47
0.108	3.0	3083,70	3106,07	3352,83	3538,30	3714,51	3964,18	4701,59	6904,02
0.144	4.0	3556,45	3582,32	3867,56	4081,92	4285,57	4574,08	5426,09	7970,14
0.18	5.0	3971,41	4000,36	4319,64	4559,52	4787,41	5110,22	6063,40	8908,76

FLOW CAPACITY TABLE IWC/PSIG - Capacity kW

Pressure Drop		Inlet Pressure (iwc)		Inlet Pressure (psi)					
psi	iwc	8" iwc	14" iwc	3	5	7	10	20	60
0.0036	0.1	5960,58	6003,41	6477,24	6833,49	7172,02	7651,75	9069,67	13307,47
0.0072	0.2	8428,35	8489,21	9159,17	9663,12	10141,97	10820,50	12825,68	18819,34
0.0108	0.3	10321,28	10395,72	11216,63	11833,72	12420,39	13251,35	15707,30	23048,29
0.0144	0.4	11916,73	12002,69	12950,63	13663,14	14340,49	15300,24	18136,38	26613,18
0.018	0.5	13321,65	13417,66	14477,55	15274,54	16031,95	17105,14	20276,26	29753,57
0.0216	0.6	14591,28	14696,74	15857,96	16730,87	17560,64	18736,34	22210,24	32592,66
0.0252	0.7	15758,70	15872,43	17126,70	18069,62	18965,86	20236,08	23988,55	35203,41
0.0288	0.8	16844,59	16966,30	18307,42	19315,62	20273,89	21631,55	25643,38	37633,07
0.0324	0.9	17864,32	17993,40	19416,05	20485,40	21501,87	22941,95	27197,48	39915,04
0.036	1.0	18828,21	18964,38	20464,13	21591,67	22663,09	24181,15	28667,39	42072,94
0.072	2.0	26595,16	26787,76	28911,09	30507,14	32023,72	34172,46	40520,61	59485,88
0.108	3.0	32532,99	32769,02	35372,38	37329,11	39188,06	41822,14	49601,80	72837,37
0.144	4.0	37520,53	37793,48	40802,72	43064,30	45212,74	48256,54	57245,27	84085,02
0.18	5.0	41898,35	42203,80	45572,24	48102,94	50507,20	53912,86	63968,87	93987,42

CERTIFICATES	TUV Austria CE 0408 (Products Approval Standard ASCE 25-16 and TS 12884)
APPLICATION	Gasses : Natural Gas, LPG, methane, propane, air, etc... non corrosive gaseous fluids.
INFORMATION	Experiments were carried out with air. Calculations based on gas with a density of 0.64 and a calorific value of 37 MJ/m ³ . The measured flow value is arranged according to 15 °C and 101.3 kPa pressure.

