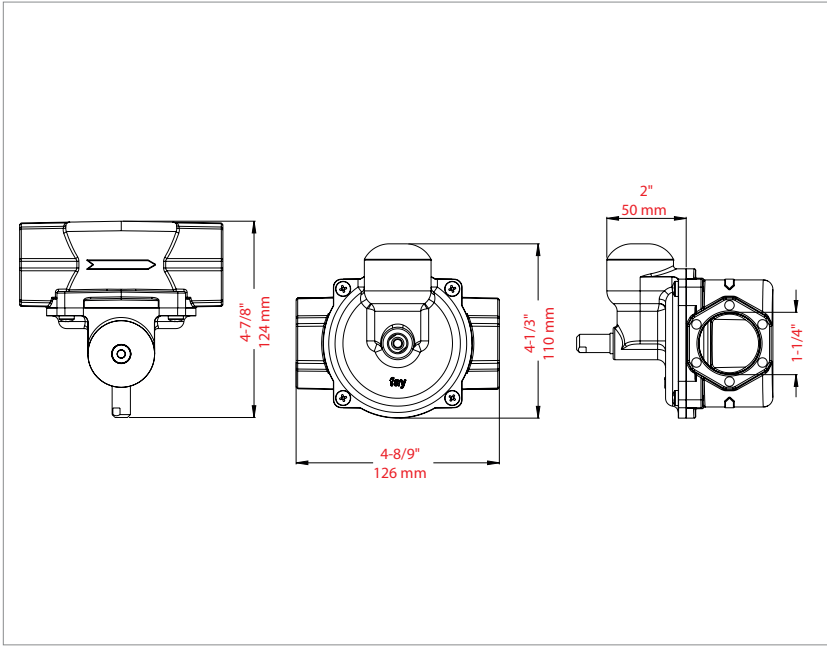


FM 323 MECHANICAL EARTQUAKE VALVE

1-1/4" Threaded Horizontal



MODEL	PIPE SIZE	DN	POSITION	TEMP. RANCE	MAX. PRESSURE	WEIGHT
FM 323	1-1/4"	32	Horizontal	-23°C(-10°F) to +66°C (+150°F)	4 bar / 60 PSI	2,121 lb / 0,964 kg

Material	Min. Turning Effort	Min. Bending Moment	CV	Eqv Length of pipe (ft)
Aluminium Alloy / Brass / Stainless Steel	875 Inc lbf / 98,9 Nm	47,0 Lb / 21,3 kg	30	2.3

FLOW CAPACITY TABLE IWC/PSIG - Capacity S.C.F.H

Pressure Drop		Inlet Pressure (iwc)		Inlet Pressure (psi)					
psi	iwc	8" iwc	14" iwc	3	5	7	10	20	60
0.0036	0.1	520	524	565	596	625	667	791	1161
0.0072	0.2	735	740	799	843	885	944	1119	1641
0.0108	0.3	900	907	978	1032	1083	1156	1370	2010
0.0144	0.4	1039	1047	1129	1192	1251	1334	1582	2321
0.018	0.5	1162	1170	1263	1332	1398	1492	1768	2595
0.0216	0.6	1273	1282	1383	1459	1532	1634	1937	2843
0.0252	0.7	1374	1384	1494	1576	1654	1765	2092	3070
0.0288	0.8	1469	1480	1597	1685	1768	1887	2236	3282
0.0324	0.9	1558	1569	1693	1787	1875	2001	2372	3481
0.036	1.0	1642	1654	1785	1883	1977	2109	2500	3669
0.072	2.0	2319	2336	2521	2661	2793	2980	3534	5188
0.108	3.0	2837	2858	3085	3256	3418	3647	4326	6352
0.144	4.0	3272	3296	3559	3756	3943	4209	4993	7333
0.18	5.0	3654	3681	3975	4195	4405	4702	5579	8197

FLOW CAPACITY TABLE IWC/PSIG - Capacity m³/h

Pressure Drop		Inlet Pressure (iwc)		Inlet Pressure (psi)					
psi	iwc	8" iwc	14" iwc	3	5	7	10	20	60
0.0036	0.1	14,56	14,67	15,82	16,69	17,50	18,68	22,15	32,51
0.0072	0.2	20,58	20,72	22,37	23,60	24,78	26,43	31,33	45,95
0.0108	0.3	25,20	25,40	27,38	28,90	30,32	32,37	38,36	56,28
0.0144	0.4	29,09	29,32	31,61	33,38	35,03	37,35	44,30	64,99
0.018	0.5	32,54	32,76	35,36	37,30	39,14	41,78	49,50	72,66
0.0216	0.6	35,64	35,90	38,72	40,85	42,90	45,75	54,24	79,60
0.0252	0.7	38,47	38,75	41,83	44,13	46,31	49,42	58,58	85,96
0.0288	0.8	41,13	41,44	44,72	47,18	49,50	52,84	62,61	91,90
0.0324	0.9	43,62	43,93	47,40	50,04	52,50	56,03	66,42	97,47
0.036	1.0	45,98	46,31	49,98	52,72	55,36	59,05	70,00	102,73
0.072	2.0	64,93	65,41	70,59	74,51	78,20	83,44	98,95	145,26
0.108	3.0	79,44	80,02	86,38	91,17	95,70	102,12	121,13	177,86
0.144	4.0	91,62	92,29	99,65	105,17	110,40	117,85	139,80	205,32
0.18	5.0	102,31	103,07	111,30	117,46	123,34	131,66	156,21	229,52

FLOW CAPACITY TABLE IWC/PSIG - Capacity kW

Pressure Drop		Inlet Pressure (iwc)		Inlet Pressure (psi)					
psi	iwc	8" iwc	14" iwc	3	5	7	10	20	60
0.0036	0.1	153,61	154,79	166,90	176,06	184,63	197,03	233,66	342,96
0.0072	0.2	217,12	218,60	236,02	249,02	261,43	278,86	330,55	484,75
0.0108	0.3	265,86	267,93	288,90	304,85	319,92	341,48	404,70	593,75
0.0144	0.4	306,92	309,28	333,51	352,12	369,55	394,06	467,32	685,62
0.018	0.5	343,25	345,62	373,09	393,47	412,97	440,74	522,27	766,56
0.0216	0.6	376,04	378,70	408,54	430,99	452,55	482,68	572,19	839,82
0.0252	0.7	405,88	408,83	441,33	465,55	488,59	521,38	617,98	906,88
0.0288	0.8	433,94	437,19	471,75	497,75	522,27	557,42	660,51	969,50
0.0324	0.9	460,23	463,48	500,11	527,88	553,88	591,10	700,69	1028,29
0.036	1.0	485,05	488,59	527,29	556,24	584,01	623,00	738,50	1083,82
0.072	2.0	685,03	690,05	744,70	786,06	825,05	880,29	1043,94	1532,54
0.108	3.0	838,05	844,25	911,31	961,82	1009,68	1077,32	1277,90	1876,38
0.144	4.0	966,55	973,64	1051,33	1109,52	1164,76	1243,34	1474,93	2166,17
0.18	5.0	1079,39	1087,37	1174,22	1239,20	1301,24	1388,97	1648,04	2421,39

CERTIFICATES	TUV Austria CE 0408 (Products Approval Standard ASCE 25-16 and TS 12884)
APPLICATION	Gasses : Natural Gas, LPG, methane, propane, air, etc... non corrosive gaseous fluids.
INFORMATION	Experiments were carried out with air. Calculations based on gas with a density of 0.64 and a calorific value of 37 MJ/m ³ . The measured flow value is arranged according to 15 °C and 101.3 kPa pressure

