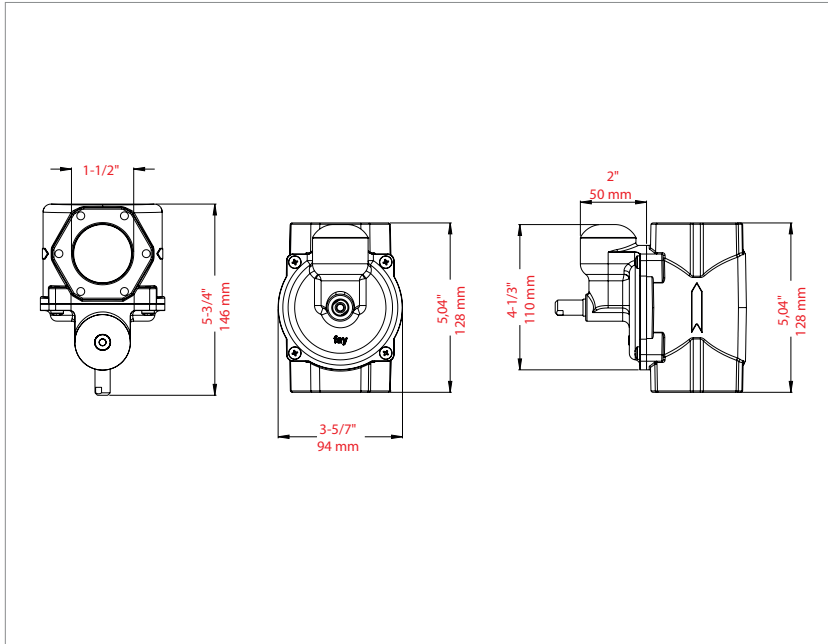


FM 402 MECHANICAL EARTQUAKE VALVE

1-1/2" Threaded Vertical



MODEL	PIPE SIZE	DN	POSITION	TEMP. RANGE	MAX. PRESSURE	WEIGHT
FM 402	1-1/2"	40	Vertical	-23°C(-10°F) to +66°C (+150°F)	4 bar / 60 PSI	3,144 lb / 1,429 kg

Material	Min. Turning Effort	Min. Bending Moment	CV	Eqv Length of pipe (ft)
Aluminium Alloy / Brass / Stainless Steel	940 Inc lbf / 106,2 Nm	75,0 Lb / 34,0 kg	40	2.8

FLOW CAPACITY TABLE IWC/PSIG - Capacity S.C.F.H

Pressure Drop		Inlet Pressure (iwc)		Inlet Pressure (psi)					
psi	iwc	8" iwc	14" iwc	3	5	7	10	20	60
0.0036	0.1	700	705	760	802	842	898	1065	1562
0.0072	0.2	989	996	1075	1134	1190	1270	1505	2209
0.0108	0.3	1211	1220	1317	1389	1458	1555	1844	2705
0.0144	0.4	1399	1409	1520	1604	1683	1796	2129	3124
0.018	0.5	1564	1575	1699	1793	1882	2008	2380	3492
0.0216	0.6	1713	1725	1861	1964	2061	2199	2607	3826
0.0252	0.7	1850	1863	2010	2121	2226	2375	2816	4132
0.0288	0.8	1977	1991	2149	2267	2380	2539	3010	4417
0.0324	0.9	2097	2112	2279	2404	2524	2693	3192	4685
0.036	1.0	2210	2226	2402	2534	2660	2838	3365	4938
0.072	2.0	3122	3144	3393	3581	3759	4011	4756	6982
0.108	3.0	3819	3846	4152	4382	4600	4909	5822	8549
0.144	4.0	4404	4436	4789	5055	5307	5664	6719	9869
0.18	5.0	4918	4954	5349	5646	5928	6328	7508	11032

FLOW CAPACITY TABLE IWC/PSIG - Capacity m³/h

Pressure Drop		Inlet Pressure (iwc)		Inlet Pressure (psi)					
psi	iwc	8" iwc	14" iwc	3	5	7	10	20	60
0.0036	0.1	19,60	19,74	21,28	22,46	23,58	25,14	29,82	43,74
0.0072	0.2	27,69	27,89	30,10	31,75	33,32	35,56	42,14	61,85
0.0108	0.3	33,91	34,16	36,88	38,89	40,82	43,54	51,63	75,74
0.0144	0.4	39,17	39,45	42,56	44,91	47,12	50,29	59,61	87,47
0.018	0.5	43,79	44,10	47,57	50,20	52,70	56,22	66,64	97,78
0.0216	0.6	47,96	48,30	52,11	54,99	57,71	61,57	73,00	107,13
0.0252	0.7	51,80	52,16	56,28	59,39	62,33	66,50	78,85	115,70
0.0288	0.8	55,36	55,75	60,17	63,48	66,64	71,09	84,28	123,68
0.0324	0.9	58,72	59,14	63,81	67,31	70,67	75,40	89,38	131,18
0.036	1.0	61,88	62,33	67,26	70,95	74,48	79,46	94,22	138,26
0.072	2.0	87,42	88,03	95,00	100,27	105,25	112,31	133,17	195,50
0.108	3.0	106,93	107,69	116,26	122,70	128,80	137,45	163,02	239,37
0.144	4.0	123,31	124,21	134,09	141,54	148,60	158,59	188,13	276,33
0.18	5.0	137,70	138,71	149,77	158,09	165,98	177,18	210,22	308,90

FLOW CAPACITY TABLE IWC/PSIG - Capacity kW

Pressure Drop		Inlet Pressure (iwc)		Inlet Pressure (psi)					
psi	iwc	8" iwc	14" iwc	3	5	7	10	20	60
0.0036	0.1	206,78	208,26	224,50	236,91	248,73	265,27	314,60	461,41
0.0072	0.2	292,15	294,22	317,56	334,98	351,53	375,16	444,58	652,54
0.0108	0.3	357,73	360,39	389,04	410,31	430,69	459,35	544,72	799,06
0.0144	0.4	413,26	416,22	449,01	473,82	497,16	530,54	628,91	922,83
0.018	0.5	462,01	465,26	501,88	529,65	555,94	593,16	703,05	1031,54
0.0216	0.6	506,02	509,57	549,74	580,17	608,82	649,58	770,11	1130,20
0.0252	0.7	546,49	550,33	593,75	626,54	657,56	701,58	831,85	1220,59
0.0288	0.8	584,01	588,14	634,81	669,67	703,05	750,02	889,15	1304,78
0.0324	0.9	619,45	623,88	673,22	710,14	745,59	795,51	942,92	1383,95
0.036	1.0	652,83	657,56	709,55	748,54	785,76	838,35	994,02	1458,69
0.072	2.0	922,24	928,74	1002,29	1057,83	1110,41	1184,85	1404,92	2062,48
0.108	3.0	1128,13	1136,11	1226,50	1294,44	1358,84	1450,12	1719,82	2525,37
0.144	4.0	1300,94	1310,39	1414,67	1493,25	1567,69	1673,15	1984,79	2915,30
0.18	5.0	1452,78	1463,41	1580,09	1667,83	1751,13	1869,29	2217,86	3258,85

CERTIFICATES	TUV Austria CE 0408 (Products Approval Standard ASCE 25-16 and TS 12884)
APPLICATION	Gasses : Natural Gas, LPG, methane, propane, air, etc... non corrosive gaseous fluids.
INFORMATION	Experiments were carried out with air. Calculations based on gas with a density of 0.64 and a calorific value of 37 MJ/m ³ . The measured flow value is arranged according to 15 °C and 101.3 kPa pressure

