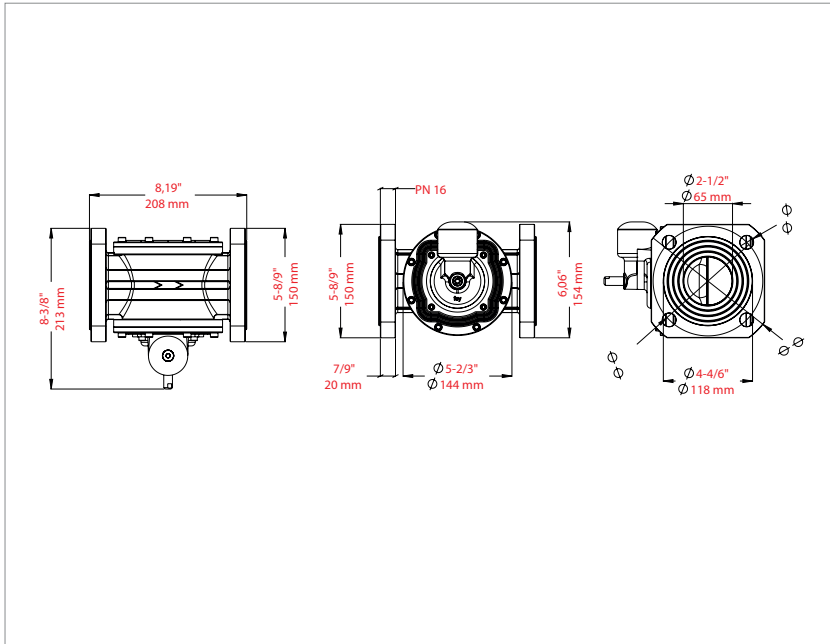


FM F 653 MECHANICAL EARTQUAKE VALVE 2-1/2" Flanged Horizontal



MODEL	PIPE SIZE	DN	PN	NORM	POSITION	TEMP. RANGE	Max. PRESSURE	WEIGHT
FM F 653	2-1/2"	65	16	DIN	Horizontal	-23°C(-10°F) to +66°C(+150°F)	4 bar / 60 PSI	10,441 lb / 4,736 kg

Material	Min. Turning Effort	Min. Bending Moment	CV	Eqv Length of pipe (ft)
Aluminium Alloy / Brass / Stainless Steel	1310 Inc lbf / 148,0 Nm	200,0 Lb / 90,7 kg	79	4,2

FLOW CAPACITY TABLE IWC/PSIG - Capacity S.C.F.H

Pressure Drop		Inlet Pressure (iwc)		Inlet Pressure (psi)					
psi	iwc	8" iwc	14" iwc	3	5	7	10	20	60
0.0036	0.1	1377	1387	1496	1578	1656	1767	2095	3074
0.0072	0.2	1947	1961	2115	2232	2342	2499	2962	4346
0.0108	0.3	2384	2401	2591	2733	2869	3061	3628	5323
0.0144	0.4	2752	2772	2991	3156	3312	3534	4189	6147
0.018	0.5	3077	3099	3344	3528	3703	3951	4683	6872
0.0216	0.6	3370	3394	3663	3864	4056	4327	5130	7528
0.0252	0.7	3640	3666	3956	4173	4380	4674	5540	8131
0.0288	0.8	3890	3919	4228	4461	4682	4996	5923	8692
0.0324	0.9	4126	4156	4484	4731	4966	5299	6282	9219
0.036	1.0	4349	4380	4726	4987	5234	5585	6621	9717
0.072	2.0	6142	6187	6677	7046	7396	7892	9359	13739
0.108	3.0	7514	7568	8170	8622	9051	9659	11456	16823
0.144	4.0	8666	8729	9424	9946	10442	11145	13221	19420
0.18	5.0	9677	9747	10525	11110	11665	12452	14774	21707

FLOW CAPACITY TABLE IWC/PSIG - Capacity m³/h

Pressure Drop		Inlet Pressure (iwc)		Inlet Pressure (psi)					
psi	iwc	8" iwc	14" iwc	3	5	7	10	20	60
0.0036	0.1	38,56	38,84	41,89	44,18	46,37	49,48	58,66	86,07
0.0072	0.2	54,52	54,91	59,22	62,50	65,58	69,97	82,94	121,69
0.0108	0.3	66,75	67,23	72,55	76,52	80,33	85,71	101,58	149,04
0.0144	0.4	77,06	77,62	83,75	88,37	92,74	98,95	117,29	172,12
0.018	0.5	86,16	86,77	93,63	98,78	103,68	110,63	131,12	192,42
0.0216	0.6	94,36	95,03	102,56	108,19	113,57	121,16	143,64	210,78
0.0252	0.7	101,92	102,65	110,77	116,84	122,64	130,87	155,12	227,67
0.0288	0.8	108,92	109,73	118,38	124,91	131,10	139,89	165,84	243,38
0.0324	0.9	115,53	116,37	125,55	132,47	139,05	148,37	175,90	258,13
0.036	1.0	121,77	122,64	132,33	139,64	146,55	156,38	185,39	272,08
0.072	2.0	171,98	173,24	186,96	197,29	207,09	220,98	262,05	384,69
0.108	3.0	210,39	211,90	228,76	241,42	253,43	270,45	320,77	471,04
0.144	4.0	242,65	244,41	263,87	278,49	292,38	312,06	370,19	543,76
0.18	5.0	270,96	272,92	294,70	311,08	326,62	348,66	413,67	607,80

FLOW CAPACITY TABLE IWC/PSIG - Capacity kW

Pressure Drop		Inlet Pressure (iwc)		Inlet Pressure (psi)					
psi	iwc	8" iwc	14" iwc	3	5	7	10	20	60
0.0036	0.1	406,77	409,72	441,92	466,14	489,18	521,97	618,86	908,06
0.0072	0.2	575,14	579,28	624,77	659,33	691,83	738,20	874,97	1283,81
0.0108	0.3	704,23	709,26	765,38	807,33	847,50	904,22	1071,71	1572,41
0.0144	0.4	812,94	818,85	883,54	932,28	978,36	1043,94	1237,43	1815,82
0.018	0.5	908,95	915,44	987,82	1042,17	1093,87	1167,13	1383,36	2029,99
0.0216	0.6	995,50	1002,59	1082,05	1141,43	1198,14	1278,20	1515,40	2223,77
0.0252	0.7	1075,26	1082,94	1168,60	1232,70	1293,85	1380,70	1636,52	2401,90
0.0288	0.8	1149,11	1157,67	1248,95	1317,78	1383,06	1475,82	1749,65	2567,62
0.0324	0.9	1218,82	1227,68	1324,57	1397,54	1466,96	1565,32	1855,70	2723,29
0.036	1.0	1284,69	1293,85	1396,06	1473,16	1546,12	1649,81	1955,84	2870,40
0.072	2.0	1814,35	1827,64	1972,39	2081,39	2184,78	2331,30	2764,65	4058,50
0.108	3.0	2219,64	2235,59	2413,42	2546,94	2673,67	2853,27	3384,10	4969,51
0.144	4.0	2559,94	2578,55	2783,85	2938,05	3084,57	3292,23	3905,48	5736,67
0.18	5.0	2858,59	2879,26	3109,09	3281,89	3445,84	3678,32	4364,24	6412,25

CERTIFICATES	TUV Austria CE 0408 (Products Approval Standard ASCE 25-16 and TS 12884)
APPLICATION	Gasses : Natural Gas, LPG, methane, propane, air, etc... non corrosive gaseous fluids.
INFORMATION	Experiments were carried out with air. Calculations based on gas with a density of 0.64 and a calorific value of 37 MJ/m ³ . The measured flow value is arranged according to 15 °C and 101.3 kPa pressure

