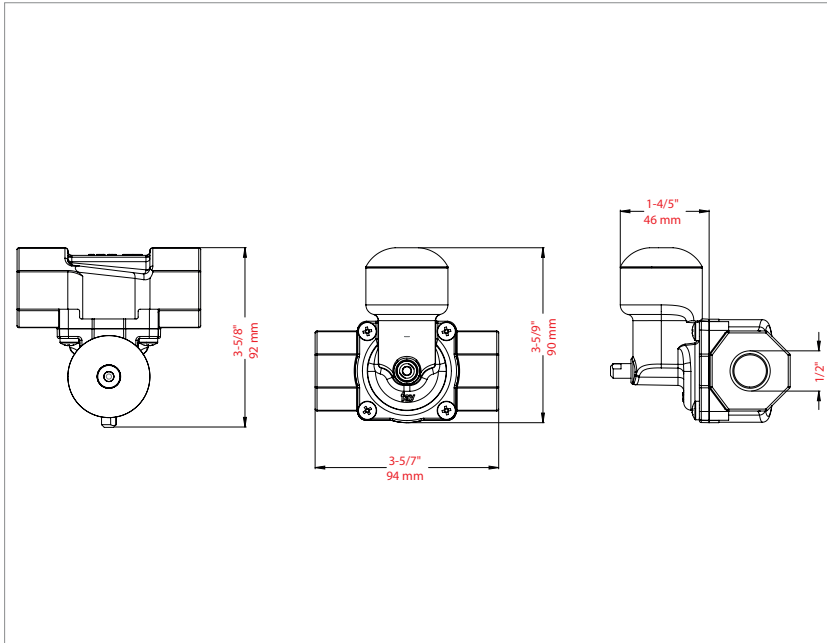


FM S 153 MECHANICAL EARTQUAKE VALVE 1/2" Threaded Horizontal



MODEL	PIPE SIZE	DN	POSITION	TEMP. RANCE	MAX. PRESSURE	WEIGHT
FM S 153	1/2"	15	Horizontal	-23°C(-10°F) to +66°C (+150°F)	4 bar / 60 PSI	1,120 lb / 0,508 kg

Material	Min. Turning Effort	Min. Bending Moment	CV	Eqv Length of pipe (ft)
Aluminium Alloy / Brass / Stainless Steel	375 Inc lbf / 42,4 Nm	10,0 Lb / 4,54 kg	8	1,6

FLOW CAPACITY TABLE IWC/PSIG - Capacity S.C.F.H

Pressure Drop		Inlet Pressure (iwc)		Inlet Pressure (psi)					
psi	iwc	8" iwc	14" iwc	3	5	7	10	20	60
0.0036	0.1	136	137	147	155	163	174	206	303
0.0072	0.2	192	193	208	220	231	246	292	428
0.0108	0.3	235	236	255	269	282	301	357	524
0.0144	0.4	271	273	295	311	326	348	412	605
0.018	0.5	303	305	329	347	365	389	461	677
0.0216	0.6	332	334	361	381	399	426	505	741
0.0252	0.7	358	361	390	411	431	460	546	801
0.0288	0.8	383	386	416	439	461	492	583	856
0.0324	0.9	406	409	442	466	489	522	619	908
0.036	1.0	428	431	465	491	515	550	652	957
0.072	2.0	605	609	658	694	728	777	922	1353
0.108	3.0	740	745	804	849	891	951	1128	1657
0.144	4.0	853	860	928	979	1028	1098	1302	1912
0.18	5.0	953	960	1036	1094	1149	1226	1455	2138

FLOW CAPACITY TABLE IWC/PSIG - Capacity m³/h

Pressure Drop		Inlet Pressure (iwc)		Inlet Pressure (psi)					
psi	iwc	8" iwc	14" iwc	3	5	7	10	20	60
0.0036	0.1	3,81	3,84	4,12	4,34	4,56	4,87	5,77	8,48
0.0072	0.2	5,38	5,40	5,82	6,16	6,47	6,89	8,18	11,98
0.0108	0.3	6,58	6,61	7,14	7,53	7,90	8,43	10,00	14,67
0.0144	0.4	7,59	7,64	8,26	8,71	9,13	9,74	11,54	16,94
0.018	0.5	8,48	8,54	9,21	9,72	10,22	10,89	12,91	18,96
0.0216	0.6	9,30	9,35	10,11	10,67	11,17	11,93	14,14	20,75
0.0252	0.7	10,02	10,11	10,92	11,51	12,07	12,88	15,29	22,43
0.0288	0.8	10,72	10,81	11,65	12,29	12,91	13,78	16,32	23,97
0.0324	0.9	11,37	11,45	12,38	13,05	13,69	14,62	17,33	25,42
0.036	1.0	11,98	12,07	13,02	13,75	14,42	15,40	18,26	26,80
0.072	2.0	16,94	17,05	18,42	19,43	20,38	21,76	25,82	37,88
0.108	3.0	20,72	20,86	22,51	23,77	24,95	26,63	31,58	46,40
0.144	4.0	23,88	24,08	25,98	27,41	28,78	30,74	36,46	53,54
0.18	5.0	26,68	26,88	29,01	30,63	32,17	34,33	40,74	59,86

FLOW CAPACITY TABLE IWC/PSIG - Capacity kW

Pressure Drop		Inlet Pressure (iwc)		Inlet Pressure (psi)					
psi	iwc	8" iwc	14" iwc	3	5	7	10	20	60
0.0036	0.1	40,17	40,51	43,42	45,79	48,11	51,38	60,87	89,46
0.0072	0.2	56,72	56,97	61,44	64,99	68,26	72,69	86,30	126,39
0.0108	0.3	69,42	69,74	75,33	79,44	83,35	88,94	105,50	154,77
0.0144	0.4	80,07	80,60	87,14	91,89	96,32	102,76	121,75	178,72
0.018	0.5	89,46	90,10	97,17	102,55	107,82	114,89	136,20	200,03
0.0216	0.6	98,12	98,64	106,66	112,57	117,84	125,86	149,18	218,91
0.0252	0.7	105,71	106,64	115,21	121,43	127,34	135,88	161,31	236,64
0.0288	0.8	113,10	114,05	122,91	129,66	136,20	145,38	172,18	252,88
0.0324	0.9	119,95	120,80	130,61	137,68	144,43	154,24	182,83	268,18
0.036	1.0	126,39	127,34	137,36	145,06	152,13	162,47	192,64	282,74
0.072	2.0	178,72	179,88	194,33	204,99	215,01	229,57	272,40	399,63
0.108	3.0	218,60	220,07	237,48	250,77	263,22	280,95	333,17	489,52
0.144	4.0	251,93	254,04	274,09	289,18	303,63	324,31	384,65	564,85
0.18	5.0	281,47	283,58	306,06	323,15	339,39	362,18	429,81	631,52

CERTIFICATES	TUV Austria CE Attestation of Conformity Certificate (ASCE 25-16 and TS 12884)
APPLICATION	Gasses : Natural Gas, LPG, methane, propane, air, etc... non corrosive gaseous fluids.
INFORMATION	Experiments were carried out with air. Calculations based on gas with a density of 0.64 and a calorific value of 37 MJ/m ³ . The measured flow value is arranged according to 15 °C and 101.3 kPa pressure.

