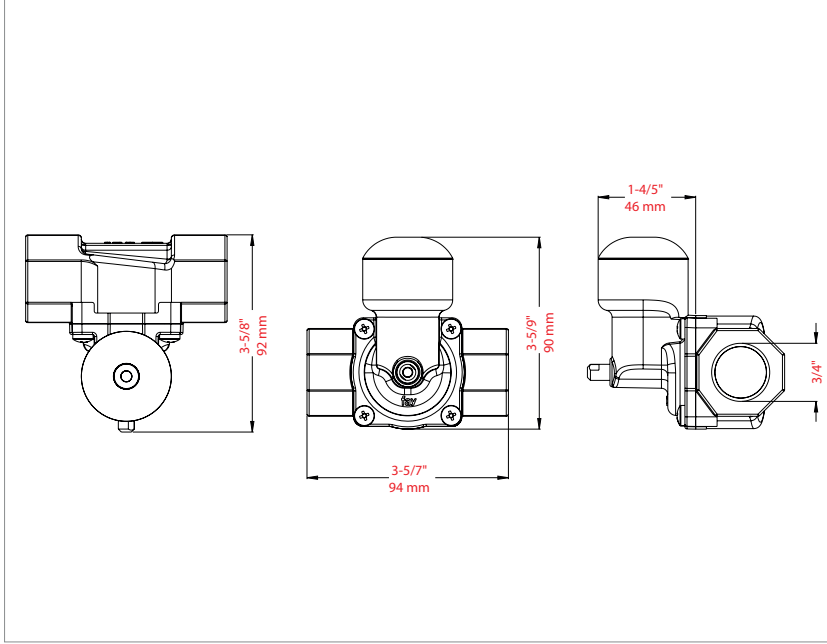


FM S 203 MECHANICAL EARTQUAKE VALVE 3/4" Threaded Horizontal



MODEL	PIPE SIZE	DN	POSITION	TEMP. RANCE	MAX. PRESSURE	WEIGHT
FM S 203	3/4"	20	Horizontal	-23°C(-10°F) to +66°C(+150°F)	4 bar / 60 PSI	1,060 lb / 0,481 kg

Material	Min. Turning Effort	Min. Bending Moment	CV	Eqv Lenght of pipe (ft)
Aluminium Alloy / Brass / Stainless Steel	560 Inc lbf / 63,3 Nm	18,0 Lb / 8,16 kg	10	2.5

FLOW CAPACITY TABLE IWC/PSIG - Capacity S.C.F.H

Pressure Drop		Inlet Pressure (iwc)		Inlet Pressure (psi)					
psi	iwc	8" iwc	14" iwc	3	5	7	10	20	60
0.0036	0.1	177	178	192	203	213	227	270	395
0.0072	0.2	250	252	272	287	301	322	381	559
0.0108	0.3	307	309	333	352	369	394	467	685
0.0144	0.4	354	357	385	406	426	455	539	791
0.018	0.5	396	399	430	454	476	508	603	884
0.0216	0.6	434	437	471	497	522	557	660	969
0.0252	0.7	468	472	509	537	564	601	713	1046
0.0288	0.8	501	504	544	574	603	643	762	1118
0.0324	0.9	531	535	577	609	639	682	808	1186
0.036	1.0	560	564	608	642	674	719	852	1250
0.072	2.0	790	796	859	907	952	1016	1204	1768
0.108	3.0	967	974	1051	1109	1165	1243	1474	2165
0.144	4.0	1115	1123	1213	1280	1344	1434	1701	2499
0.18	5.0	1245	1254	1354	1430	1501	1602	1901	2793

FLOW CAPACITY TABLE IWC/PSIG - Capacity m³/h

Pressure Drop		Inlet Pressure (iwc)		Inlet Pressure (psi)					
psi	iwc	8" iwc	14" iwc	3	5	7	10	20	60
0.0036	0.1	4,96	4,98	5,38	5,68	5,96	6,36	7,56	11,06
0.0072	0.2	7,00	7,06	7,62	8,04	8,43	9,02	10,67	15,65
0.0108	0.3	8,60	8,65	9,32	9,86	10,33	11,03	13,08	19,18
0.0144	0.4	9,91	10,00	10,78	11,37	11,93	12,74	15,09	22,15
0.018	0.5	11,09	11,17	12,04	12,71	13,33	14,22	16,88	24,75
0.0216	0.6	12,15	12,24	13,19	13,92	14,62	15,60	18,48	27,13
0.0252	0.7	13,10	13,22	14,25	15,04	15,79	16,83	19,96	29,29
0.0288	0.8	14,03	14,11	15,23	16,07	16,88	18,00	21,34	31,30
0.0324	0.9	14,87	14,98	16,16	17,05	17,89	19,10	22,62	33,21
0.036	1.0	15,68	15,79	17,02	17,98	18,87	20,13	23,86	35,00
0.072	2.0	22,12	22,29	24,05	25,40	26,66	28,45	33,71	49,50
0.108	3.0	27,08	27,27	29,43	31,05	32,62	34,80	41,27	60,62
0.144	4.0	31,22	31,44	33,96	35,84	37,63	40,15	47,63	69,97
0.18	5.0	34,86	35,11	37,91	40,04	42,03	44,86	53,23	78,20

FLOW CAPACITY TABLE IWC/PSIG - Capacity kW

Pressure Drop		Inlet Pressure (iwc)		Inlet Pressure (psi)					
psi	iwc	8" iwc	14" iwc	3	5	7	10	20	60
0.0036	0.1	52,33	52,58	56,76	59,92	62,88	67,10	79,76	116,68
0.0072	0.2	73,85	74,44	80,39	84,78	88,94	95,16	112,57	165,11
0.0108	0.3	90,73	91,26	98,33	104,02	108,98	116,37	137,99	202,35
0.0144	0.4	104,55	105,46	113,73	119,95	125,86	134,41	159,20	233,68
0.018	0.5	117,00	117,84	127,02	134,09	140,63	150,02	178,08	261,11
0.0216	0.6	128,18	129,13	139,15	146,86	154,24	164,58	194,96	286,22
0.0252	0.7	138,21	139,47	150,34	158,67	166,58	177,56	210,58	309,01
0.0288	0.8	148,02	148,86	160,68	169,54	178,08	189,94	225,14	330,22
0.0324	0.9	156,88	158,04	170,49	179,88	188,74	201,51	238,64	350,37
0.036	1.0	165,42	166,58	179,56	189,69	199,08	212,37	251,72	369,25
0.072	2.0	233,37	235,16	253,73	267,97	281,26	300,15	355,64	522,23
0.108	3.0	285,69	287,70	310,49	327,58	344,14	367,14	435,40	639,54
0.144	4.0	329,37	331,69	358,28	378,11	397,00	423,58	502,50	738,18
0.18	5.0	367,77	370,41	399,95	422,42	443,42	473,27	561,58	825,01

CERTIFICATES

TUV Austria CE Attestation of Conformity Certificate (ASCE 25-16 and TS 12884)

APPLICATION

Gasses : Natural Gas, LPG, methane, propane, air, etc... non corrosive gaseous fluids.

INFORMATION

Experiments were carried out with air. Calculations based on gas with a density of 0.64 and a calorific value of 37 MJ/m³. The measured flow value is arranged according to 15 °C and 101.3 kPa pressure

