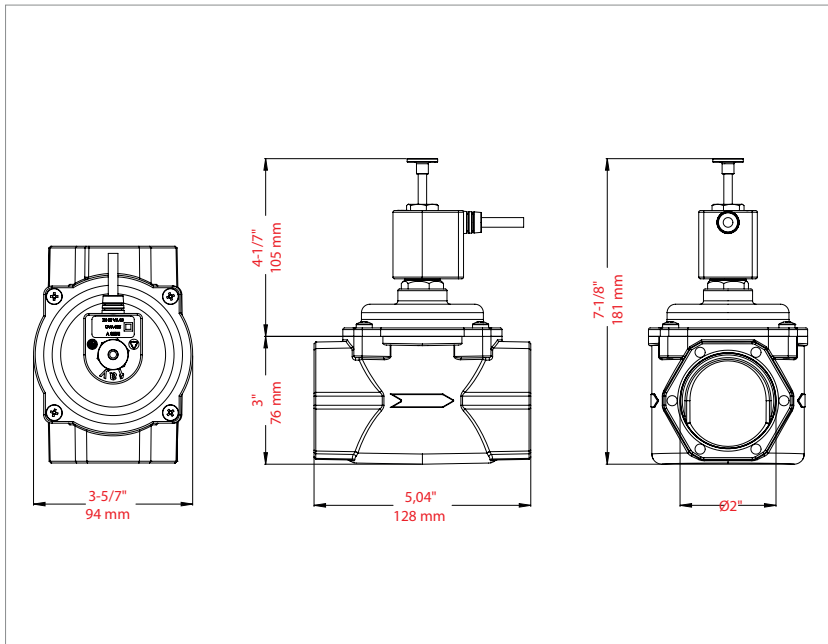


SLFM 50 NORMALLY OPEN (NO) MANUALLY OPERATING SOLENOID VALVE 2" Threadad - 6 Bar



MODEL	PIPE SIZE	DN	TEMP. RANCE	MAX. PRESSURE	WEIGHT
SLFM 50	2"	50	-23°C(-10°F) to +66°C (+150°F)	6 bar / 87 PSI	2,352 lb / 1,069 kg

Material	Min. Turning Effort	Min. Bending Moment	CV	Eqv Lenght of pipe (ft)
Aluminium Alloy / Brass / Stainless Steel	1190 Inc lbf / 134,5 Nm	160,0 Lb / 72,6 kg	48	5.8

FLOW CAPACITY TABLE IWC/PSIG - Capacity S.C.F.H

Pressure Drop		Inlet Pressure (iwc)		Inlet Pressure (psi)					
psi	iwc	8" iwc	14" iwc	3	5	7	10	20	60
0.0036	0.1	831	837	903	952	999	1066	1264	1855
0.0072	0.2	1175	1183	1276	1347	1413	1508	1787	2623
0.0108	0.3	1438	1449	1563	1649	1731	1847	2189	3212
0.0144	0.4	1661	1673	1805	1904	1998	2132	2527	3709
0.018	0.5	1856	1870	2018	2129	2234	2384	2826	4146
0.0216	0.6	2033	2048	2210	2332	2447	2611	3095	4542
0.0252	0.7	2196	2212	2387	2518	2643	2820	3343	4906
0.0288	0.8	2347	2364	2551	2692	2825	3015	3574	5244
0.0324	0.9	2490	2508	2706	2855	2996	3197	3790	5562
0.036	1.0	2624	2643	2852	3009	3158	3370	3995	5863
0.072	2.0	3706	3733	4029	4251	4463	4762	5647	8290
0.108	3.0	4534	4567	4929	5202	5461	5828	6912	10151
0.144	4.0	5229	5267	5686	6001	6301	6725	7978	11718
0.18	5.0	5839	5881	6351	6704	7039	7513	8915	13098

FLOW CAPACITY TABLE IWC/PSIG - Capacity m³/h

Pressure Drop		Inlet Pressure (iwc)		Inlet Pressure (psi)					
psi	iwc	8" iwc	14" iwc	3	5	7	10	20	60
0.0036	0.1	23,27	23,44	25,28	26,66	27,97	29,85	35,39	51,94
0.0072	0.2	32,90	33,12	35,73	37,72	39,56	42,22	50,04	73,44
0.0108	0.3	40,26	40,57	43,76	46,17	48,47	51,72	61,29	89,94
0.0144	0.4	46,51	46,84	50,54	53,31	55,94	59,70	70,76	103,85
0.018	0.5	51,97	52,36	56,50	59,61	62,55	66,75	79,13	116,09
0.0216	0.6	56,92	57,34	61,88	65,30	68,52	73,11	86,66	127,18
0.0252	0.7	61,49	61,94	66,84	70,50	74,00	78,96	93,60	137,37
0.0288	0.8	65,72	66,19	71,43	75,38	79,10	84,42	100,07	146,83
0.0324	0.9	69,72	70,22	75,77	79,94	83,89	89,52	106,12	155,74
0.036	1.0	73,47	74,00	79,86	84,25	88,42	94,36	111,86	164,16
0.072	2.0	103,77	104,52	112,81	119,03	124,96	133,34	158,12	232,12
0.108	3.0	126,95	127,88	138,01	145,66	152,91	163,18	193,54	284,23
0.144	4.0	146,41	147,48	159,21	168,03	176,43	188,30	223,38	328,10
0.18	5.0	163,49	164,67	177,83	187,71	197,09	210,36	249,62	366,74

FLOW CAPACITY TABLE IWC/PSIG - Capacity kW

Pressure Drop		Inlet Pressure (iwc)		Inlet Pressure (psi)					
psi	iwc	8" iwc	14" iwc	3	5	7	10	20	60
0.0036	0.1	245,48	247,25	266,75	281,22	295,10	314,90	373,39	547,97
0.0072	0.2	347,10	349,46	376,93	397,90	417,40	445,46	527,88	774,83
0.0108	0.3	424,79	428,03	461,71	487,11	511,34	545,60	646,63	948,82
0.0144	0.4	490,66	494,20	533,20	562,44	590,21	629,79	746,48	1095,64
0.018	0.5	548,26	552,40	596,12	628,91	659,92	704,23	834,80	1224,73
0.0216	0.6	600,55	604,98	652,83	688,87	722,84	771,29	914,26	1341,71
0.0252	0.7	648,70	653,42	705,12	743,82	780,74	833,03	987,52	1449,23
0.0288	0.8	693,30	698,33	753,57	795,22	834,51	890,63	1055,76	1549,08
0.0324	0.9	735,55	740,86	799,35	843,37	885,02	944,39	1119,57	1643,01
0.036	1.0	775,13	780,74	842,48	888,86	932,87	995,50	1180,12	1731,93
0.072	2.0	1094,75	1102,73	1190,17	1255,75	1318,37	1406,69	1668,12	2448,87
0.108	3.0	1339,34	1349,09	1456,03	1536,67	1613,18	1721,59	2041,80	2998,61
0.144	4.0	1544,65	1555,87	1679,64	1772,70	1861,32	1986,57	2356,70	3461,50
0.18	5.0	1724,84	1737,25	1876,09	1980,36	2079,32	2219,34	2633,49	3869,15

CERTIFICATES TUV Austria CE 2737 (Products Approval Standard EN 12266-1 / EN 12516-3)

APPLICATION Gasses : Natural Gas, LPG, methane, propane, air, etc... non corrosive gaseous fluids.

INFORMATION Experiments were carried out with air. Calculations based on gas with a density of 0.64 and a calorific value of 37 MJ/m³. The measured flow value is arranged according to 15 °C and 101.3 kPa pressure.

