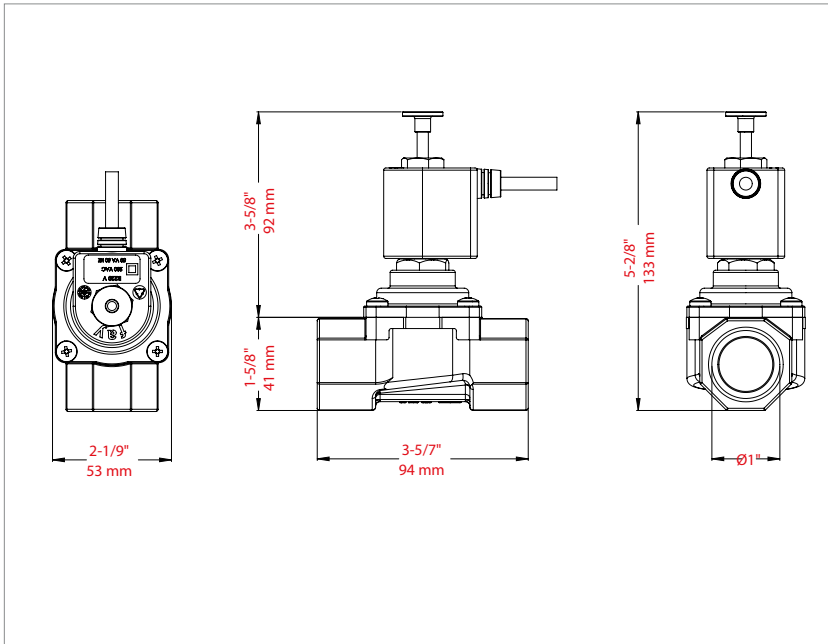


# SLFM S 25 NORMALLY OPEN (NO) MANUALLY OPERATING SOLENOID VALVE 1" Threadad - 0,5 Bar



MODEL	PIPE SIZE	DN	TEMP. RANCE	MAX. PRESSURE	WEIGHT
SLFM S 25	1"	25	-23°C(-10°F) to +66°C (+150°F)	0,5 bar / 7 PSI	0,968 lb / 0,440 kg

Material	Min. Turning Effort	Min. Bending Moment	CV	Eqv Lenght of pipe (ft)
Aluminium Alloy / Brass / Stainless Steel	750 Inc lbf / 84,7 Nm	32,0 Lb / 14,5 kg	10	2.5

## FLOW CAPACITY TABLE IWC/PSIG - Capacity S.C.F.H

Pressure Drop		Inlet Pressure (iwc)		Inlet Pressure (psi)					
psi	iwc	8" iwc	14" iwc	3	5	7	10	20	60
0.0036	0.1	169	170	183	193	203	216	257	376
0.0072	0.2	238	240	259	273	287	306	363	532
0.0108	0.3	292	294	317	335	351	375	444	652
0.0144	0.4	337	340	366	387	406	433	513	753
0.018	0.5	377	380	410	432	454	484	574	842
0.0216	0.6	413	416	449	473	497	530	628	922
0.0252	0.7	446	449	485	511	537	572	679	996
0.0288	0.8	477	480	518	546	574	612	725	1065
0.0324	0.9	505	509	549	580	608	649	769	1129
0.036	1.0	533	536	579	611	641	684	811	1190
0.072	2.0	752	796	818	863	906	967	1146	1683
0.108	3.0	920	927	1001	1056	1109	1183	1403	2061
0.144	4.0	1061	1069	1154	1218	1279	1365	1619	2379
0.18	5.0	1185	1194	1289	1361	1429	1525	1810	2659

### FLOW CAPACITY TABLE IWC/PSIG - Capacity m<sup>3</sup>/h

Pressure Drop		Inlet Pressure (iwc)		Inlet Pressure (psi)					
psi	iwc	8" iwc	14" iwc	3	5	7	10	20	60
0.0036	0.1	4,73	4,76	5,12	5,40	5,68	6,05	7,20	10,53
0.0072	0.2	6,66	6,72	7,25	7,64	8,04	8,57	10,16	14,90
0.0108	0.3	8,18	8,23	8,88	9,38	9,83	10,50	12,43	18,26
0.0144	0.4	9,44	9,52	10,25	10,84	11,37	12,12	14,36	21,08
0.018	0.5	10,56	10,64	11,48	12,10	12,71	13,55	16,07	23,58
0.0216	0.6	11,56	11,65	12,57	13,24	13,92	14,84	17,58	25,82
0.0252	0.7	12,49	12,57	13,58	14,31	15,04	16,02	19,01	27,89
0.0288	0.8	13,36	13,44	14,50	15,29	16,07	17,14	20,30	29,82
0.0324	0.9	14,14	14,25	15,37	16,24	17,02	18,17	21,53	31,61
0.036	1.0	14,92	15,01	16,21	17,11	17,95	19,15	22,71	33,32
0.072	2.0	21,06	22,29	22,90	24,16	25,37	27,08	32,09	47,12
0.108	3.0	25,76	25,96	28,03	29,57	31,05	33,12	39,28	57,71
0.144	4.0	29,71	29,93	32,31	34,10	35,81	38,22	45,33	66,61
0.18	5.0	33,18	33,43	36,09	38,11	40,01	42,70	50,68	74,45

### FLOW CAPACITY TABLE IWC/PSIG - Capacity kW

Pressure Drop		Inlet Pressure (iwc)		Inlet Pressure (psi)					
psi	iwc	8" iwc	14" iwc	3	5	7	10	20	60
0.0036	0.1	49,92	50,22	54,06	57,01	59,97	63,81	75,92	111,07
0.0072	0.2	70,31	70,90	76,51	80,64	84,78	90,39	107,23	157,15
0.0108	0.3	86,26	86,85	93,64	98,96	103,69	110,78	131,16	192,60
0.0144	0.4	99,55	100,44	108,12	114,32	119,93	127,91	151,54	222,44
0.018	0.5	111,37	112,25	121,11	127,61	134,11	142,97	169,56	248,73
0.0216	0.6	122,00	122,89	132,63	139,72	146,81	156,56	185,51	272,36
0.0252	0.7	131,75	132,63	143,27	150,95	158,63	168,97	200,58	294,22
0.0288	0.8	140,91	141,79	153,02	161,29	169,56	180,78	214,17	314,60
0.0324	0.9	149,18	150,36	162,17	171,33	179,60	191,71	227,16	333,51
0.036	1.0	157,45	158,33	171,04	180,49	189,35	202,05	239,57	351,53
0.072	2.0	222,14	235,14	241,64	254,93	267,63	285,65	338,53	497,16
0.108	3.0	271,77	273,84	295,70	311,94	327,60	349,46	414,45	608,82
0.144	4.0	313,42	315,78	340,89	359,80	377,82	403,22	478,25	702,76
0.18	5.0	350,05	352,71	380,77	402,04	422,13	450,49	534,67	785,47

**CERTIFICATES** TUV Austria CE Attestation of Conformity Certificate ( EN 12266-1/ EN 12516-3 )

**APPLICATION** Gasses : Natural Gas, LPG, methane, propane, air, etc... non corrosive gaseous fluids.

**INFORMATION** Experiments were carried out with air. Calculations based on gas with a density of 0.64 and a calorific value of 37 MJ/m<sup>3</sup>. The measured flow value is arranged according to 15 °C and 101.3 kPa pressure.

